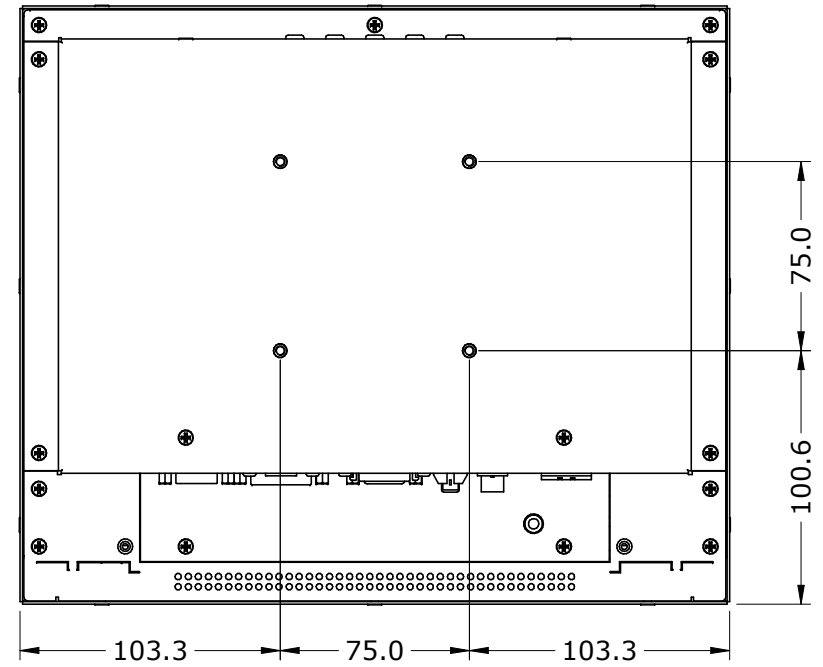
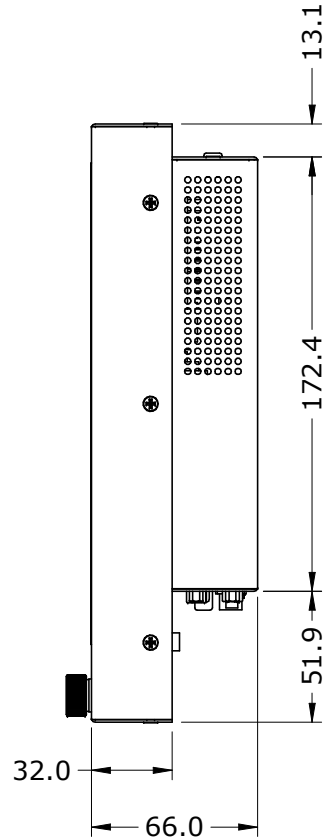
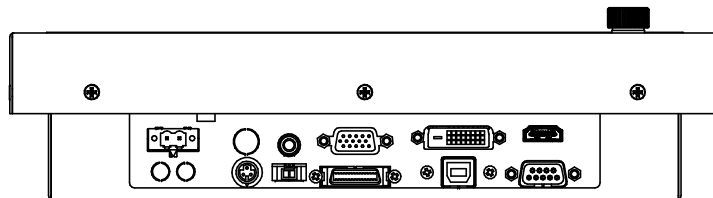
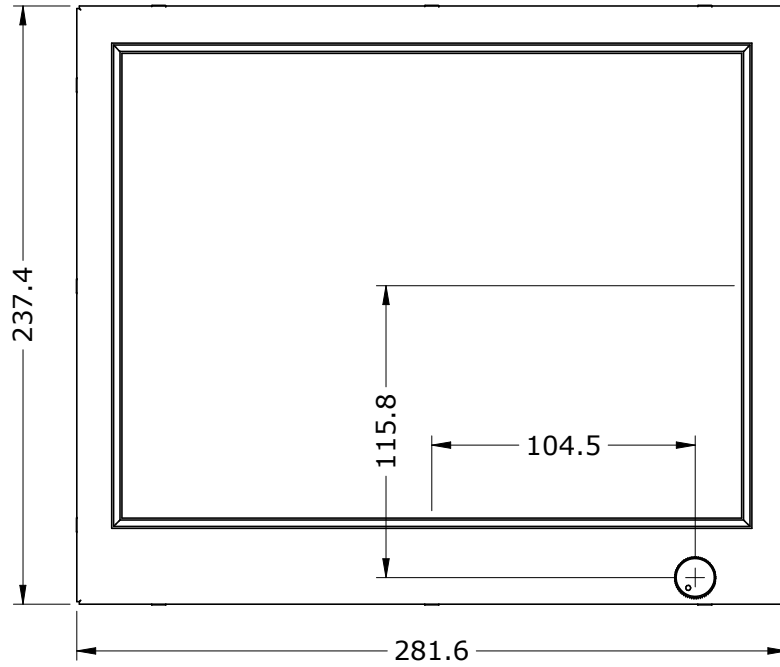
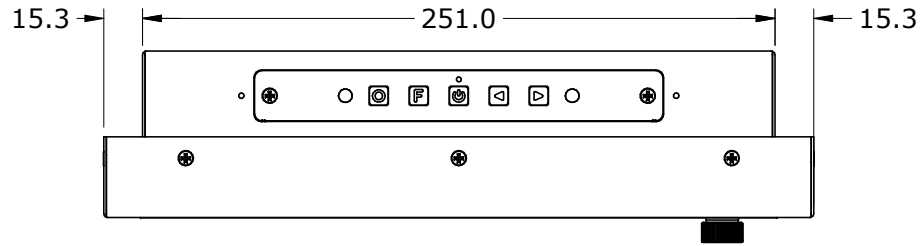


MODEL N121DE

N121DE01_m-dims (06-10-2014)



DIMENSIONS ARE SUBJECT TO CHANGE WITHOUT NOTICE

ISO 128 ALL DIMENSIONS ARE IN MILLIMETERS