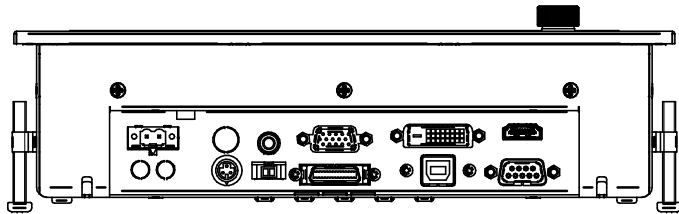
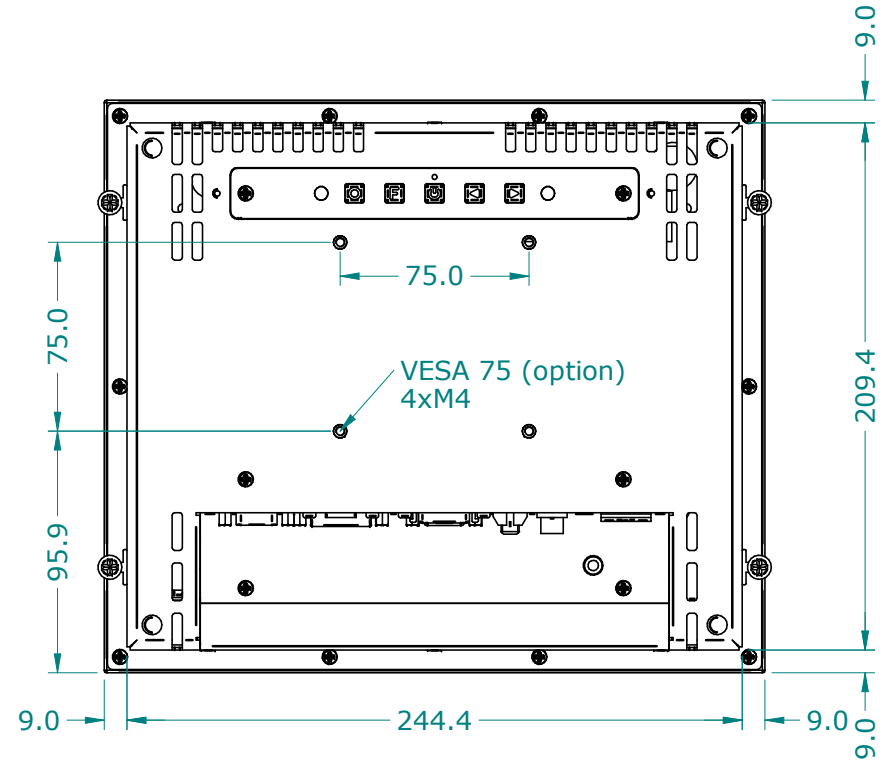
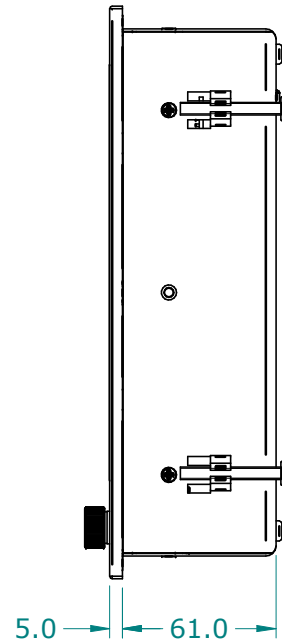
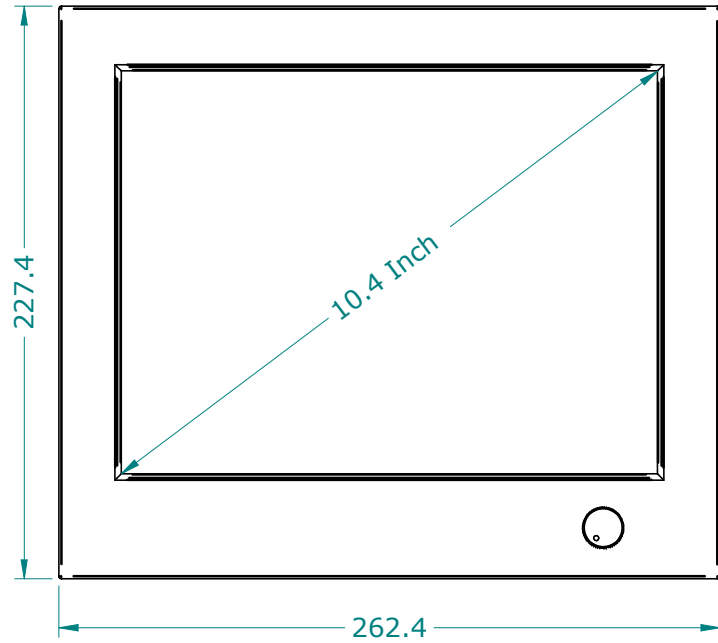


MODEL N104KE

N104KE-dims (07-10-2014)



DIMENSIONS ARE SUBJECT TO CHANGE WITHOUT NOTICE

ISO 128  ALL DIMENSIONS ARE IN MILLIMETERS