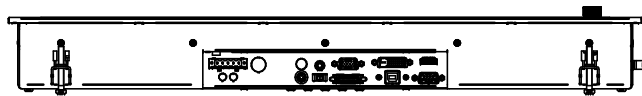
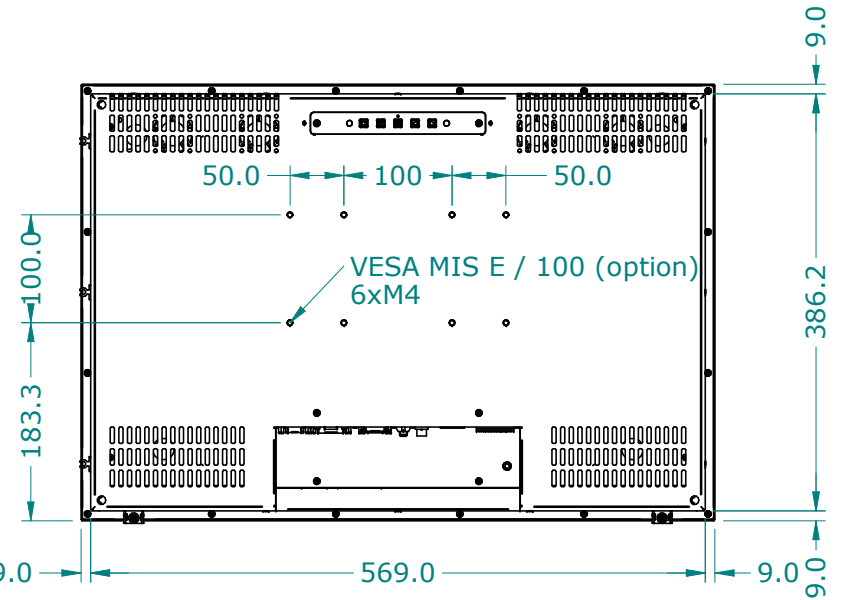
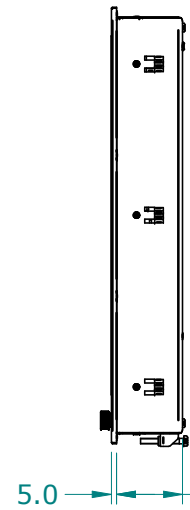
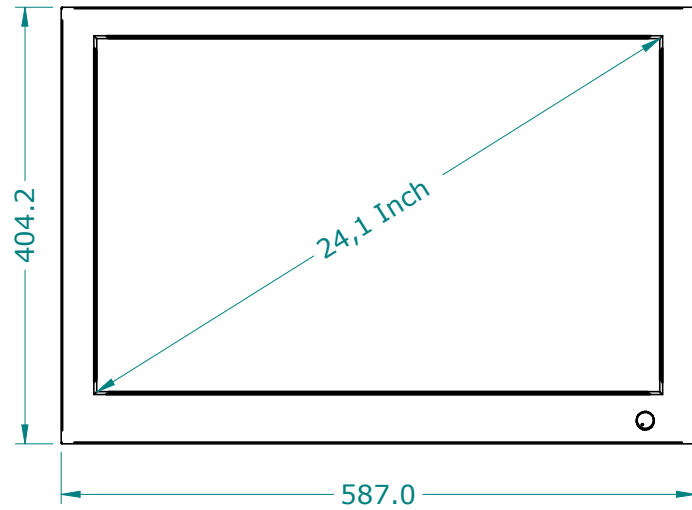


# MODEL N241KE

N241KE-dims (30-06-2015)



DIMENSIONS ARE SUBJECT TO CHANGE WITHOUT NOTICE

ISO 128 ALL DIMENSIONS ARE IN MILLIMETERS